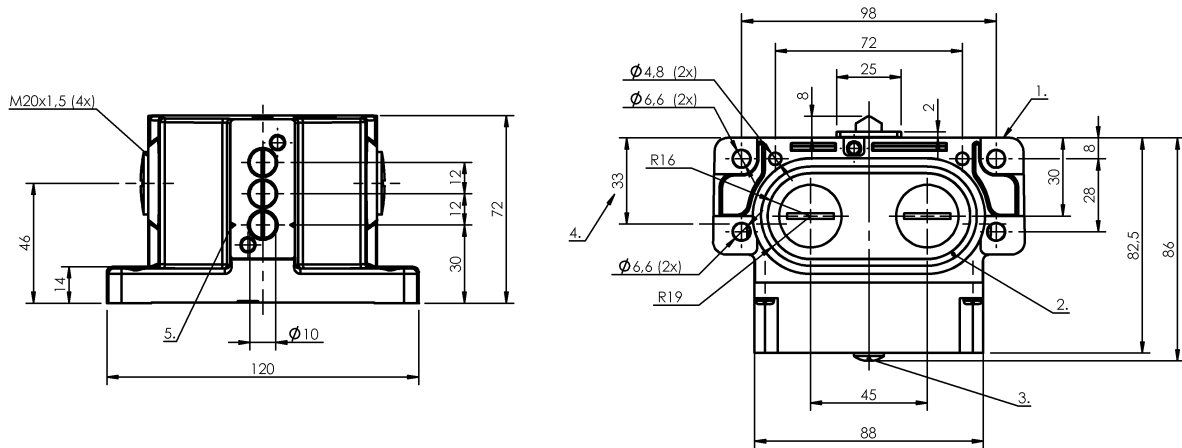


Mechanical Cam Switches
BNS 813-D03-D12-62-10-01-FD
Order Code: BNS01AZ

BALLUFF



1) Reference edge, 2) Sealing ring, 3) Function indicator FD/FE/LL, 4) Cable passage, 5) Mark. Safety switch position



Basic features

Approval/Conformity	CE UKCA CCC WEEE
Basic standard	IEC 60947-5-1
Operating principle	1-3. Switch position: Mechanical
Version	Safety EN 60204-1

Display/Operation

Function indicator	1-3. Switch position: FD - 6...60 V
--------------------	-------------------------------------

Electrical connection

Connection type	1-3. Switch position: Screw terminal
-----------------	--------------------------------------

Electrical data

Continuous current	1-3. Switch position: 6 A
Rated operating voltage U _e	1-3. Switch position: 250 V AC
Switching rate	1-3. Switch position: 300/min

Environmental conditions

Ambient temperature	-5...85 °C
IP rating	IP67

Functional safety

B10d (EN ISO 13849-1)	BSE 30.0: 30 mil. switching cycles BSE 61: 30 mil. switching cycles
-----------------------	--

Material

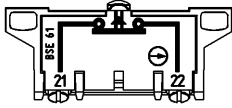
Housing material	Aluminium, Anodized
Housing material, surface protection	Anodized
Material contacts	1. Switch position: Silver 2-3. Switch position: Silver, gold plated
Plunger material	1-3. Switch position: 1.4034 stainless steel

Mechanical data

Approach direction	longitudinal, parallel to attachment surface
Approach speed	1-3. Switch position: 40 m/min
Distance cam - reference edge	1-3. Switch position: 4.50...5.00 mm
Flange, feed-through	2 threaded exit M20
Installation	Vertical
Life expectancy mechanical	1-3. Switch position: 30 mil. switching operations
Number of switching positions	3x Chisel Mechanical
Plunger style	1-3rd switch position: Chisel
Switch actuation force	1. Switch position: 15 N 2-3. Switch position: 20 N
Switching element	1. Switch position: BSE 61 2-3. Switch position: BSE 30.0

Wiring Diagrams

BSE 61



BSE 30.0

